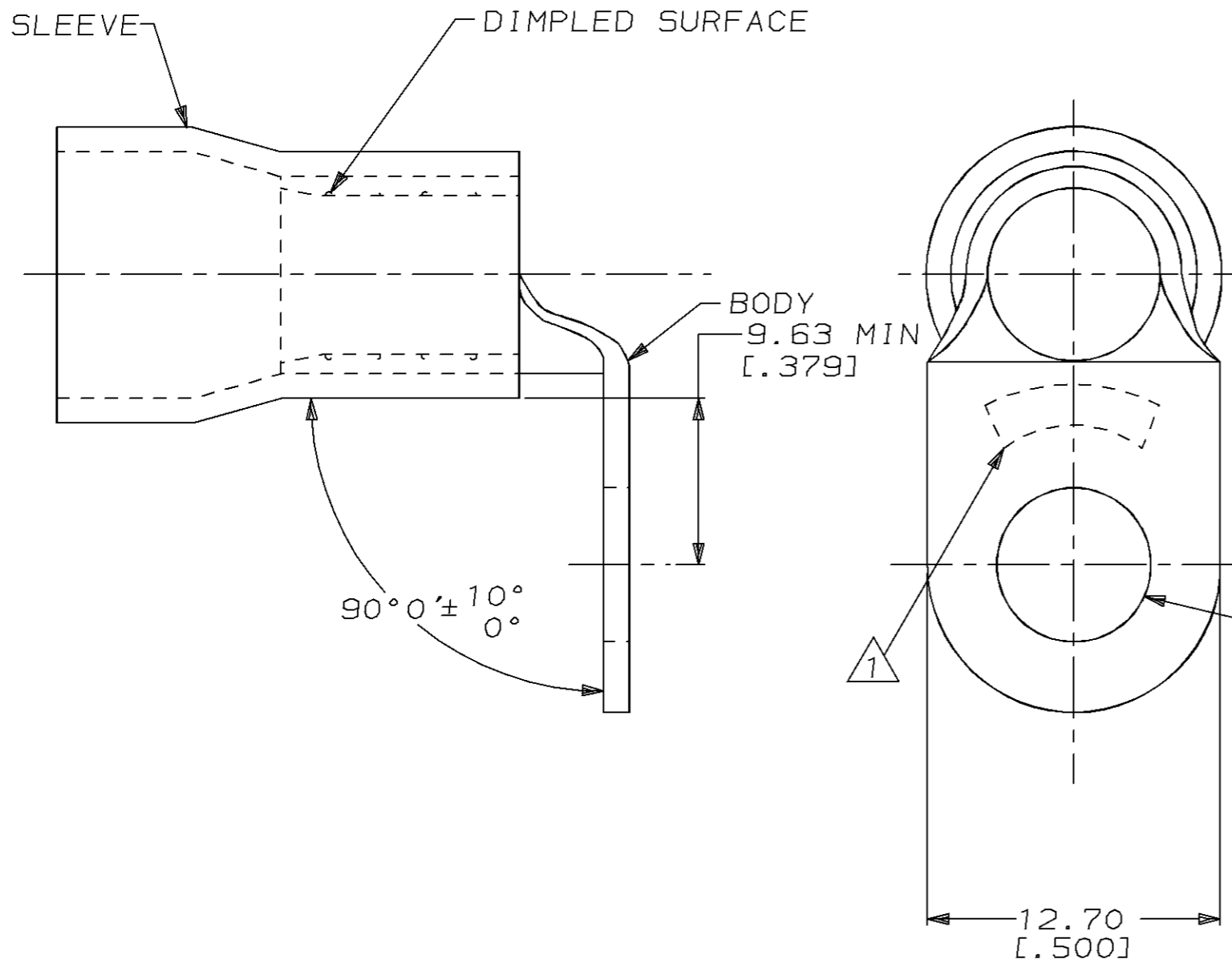


THIS DRAWING IS UNPUBLISHED. RELEASED FOR PUBLICATION, 19 .
 © COPYRIGHT 19 BY AMP INCORPORATED. ALL INTERNATIONAL RIGHTS RESERVED.

LOC	DIST	P	F	REVISIONS				
G	14			ZONE	LTR	DESCRIPTION	DATE	APPD
					E	REV PER 0720-0751-95	29SEP95	ME

AMP WIRE RANGE	RU FILE E13288	SR LR7189 Certified
6 AWG STRANDED	6 AWG STRANDED	6 AWG STRANDED



NOTE:
 1. STAMP AMP 6* LOCATE APPROX AS SHOWN
 2. TONGUE MATERIAL THK 1.14±0.08 [.045±.003]
 3. WIRE INSULATION DIA 11.07 [.436] MAX

100	LOOSE PC	54754-1
QTY	PACKAGE TYPE	PART NO

AMP INCORPORATED CUSTOMER SERVICE SYSTEMS		MAX RECOMMENDED OPERATING TEMPERATURE: 90°C	DO NOT SCALE PRINT. UNLESS SPECIFIED DIMENSIONS IN mm [INCHES] TOLERANCES ON: 2 PLC DEC ± 0.20 [.008] 3 PLC DEC ± - ANGLES ± -	DR 10-11-93 S.S. GOULDEN	AMP AMP Incorporated Harrisburg, PA 17105-3608
FOR ADDITIONAL PRODUCT INFORMATION OR COPIES OF DRAWINGS AND TECHNICAL DOCUMENTS	PRODUCT INFORMATION CENTER 1-800-522-6752	VOLTAGE RATING: 600 V MAX	MATERIAL COPPER PER ASTM B-152 PVC, COLOR, BLUE	CHK 10-11-93 R. HERSEY	
FOR APPLICATION TOOLING INFORMATION	TOOLING ASSISTANCE CENTER 1-800-722-1111	CIRCULAR MIL AREA: 10.54-16.77mm² [20,800-33,100]	FINISH TIN PLATE PER MIL-T-10727	APPD 10-11-93 B. BARE	NAME TERMINAL, RING TONGUE-BENT 90°, PLASTI-GRIP™, WIRE SIZE, 6 AWG
FOR ORDER ENTRY	1-800-526-5142	THIS DRAWING IS A CONTROLLED DOCUMENT FOR AMP INCORPORATED. IT IS SUBJECT TO CHANGE AND THE CONTROLLING ENGINEERING ORGANIZATION SHOULD BE CONTACTED FOR THE LATEST REVISION.		APPD 10-11-93 M. ELLIS	SIZE B
				PRODUCT SPEC NOT AVAILABLE	CAGE CODE 00779
				APPLICATION SPEC NOT AVAILABLE	DRAWING NO C-54754
				WEIGHT -	SCALE NTS
					SHEET 1 OF 1